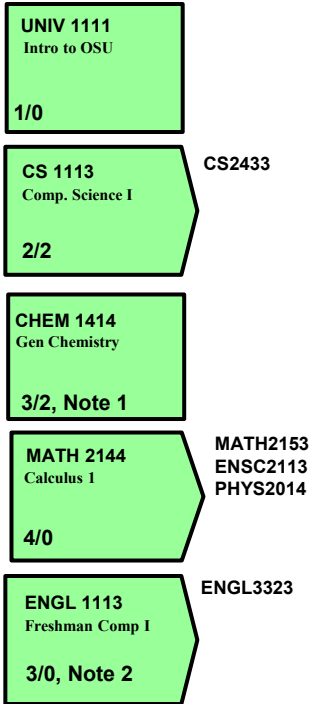


Computer Engineering – Software Engineering *Years 1 and 2*

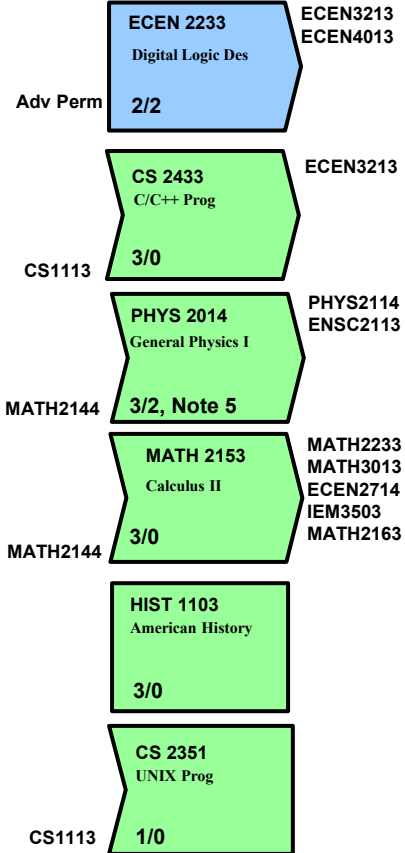
Course Plan (CpE-SOFT)

2024-2025

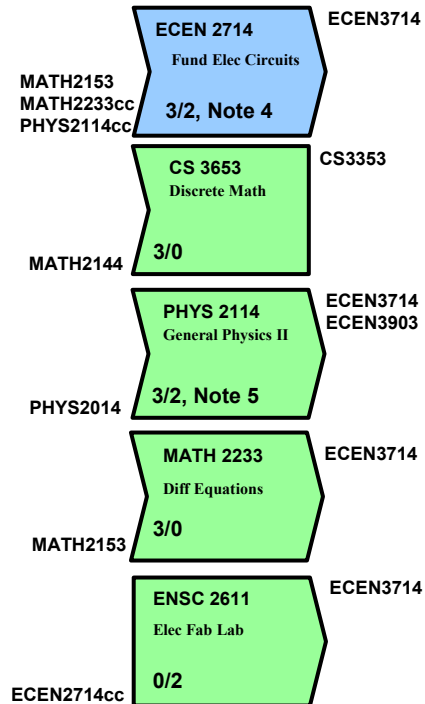
Semester 1 15 Credit Hours



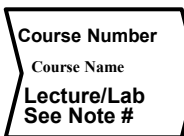
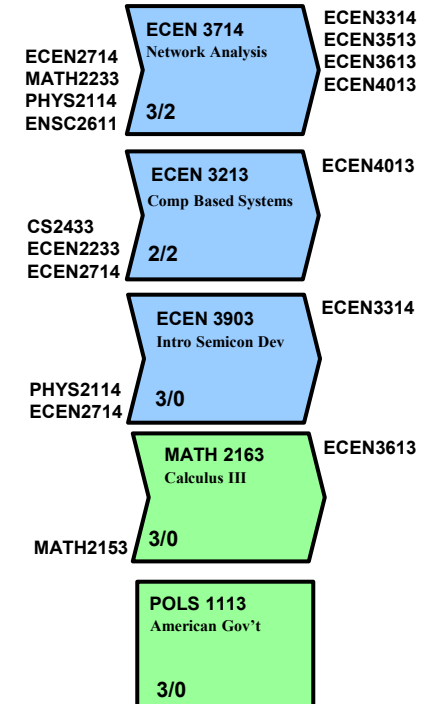
Semester 2 17 Credit Hours



Semester 3 15 Credit Hours



Semester 4 16 Credit Hours



Subsequent Requirement**

*Only the last prerequisite in a sequence is listed. All earlier prerequisites must also be satisfied before taking the course.

**See your Advisor, the ECE Advising Document, and Banner for additional information.

Prerequisites*

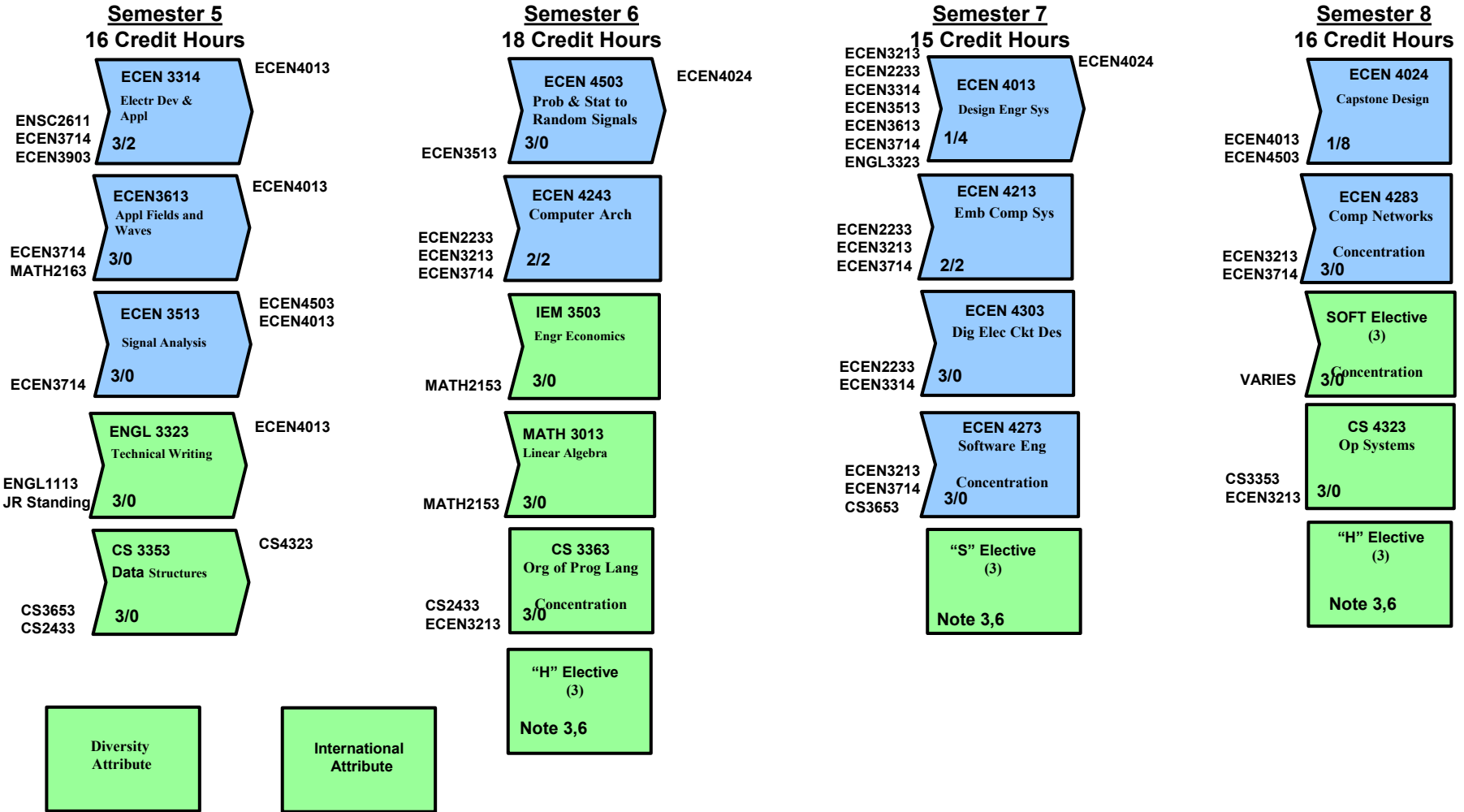
Suggested Course Plan

The anticipation at OSU and most institutions of higher education is that for one semester credit hour (SCH) the student spends one hour per week in lecture (two for lab courses) and two hours studying outside of class (one for lab courses). A three credit hour class requires about nine hours per week. This study plan is recommended for students who will devote full time to university studies and do not have excessive extracurricular activities or other obligations.

NOTES:

- 1) CHEM 1515 may be substituted for CHEM 1414 and should be taken by all students considering medical school.
- 2) Students with less than a "B" in ENGL 1113 or 1313 must take ENGL 1213 or 1413 prior to ENGL 3323.
- 3) A total of at least 6 hours designated "H" and 3 hours designated "S" is required. Of these, 3 hrs must meet the International Dimension "I" component and 3 hrs must meet the Diversity "D" component.
- 4) MATH 2233 and PHYS 2114 must be taken prior to or at the same time as ECEN 2714.
- 5) General Physics I and II are key prerequisites and should be taken at the earliest possible time.
- 6) Must be at least 3 SCH.

Computer Engineering – Software Engineering *Years 3 and 4* Course Plan (CpE-SOFT)



- **From the OSU University Handbook: 7.1 Graduation Requirements:** "The responsibility for satisfying all requirements for a degree rests with the student. Advisors, faculty members and administrators offer help to the student in meeting this responsibility."
- This flowchart serves as an advising instrument and visual guide, not as a substitute for the official Degree Requirement sheet found in the University Catalog. When conflicts occur, the official 2024-2025 Degree Requirement Sheet takes precedence.
- This flowchart represents one path of many to graduation. While students do not have to follow the flowchart, prerequisites and course sequencing limit path options.
- Please use the most recent version of the flowchart. Pay attention to course prerequisites, grade requirements, and other official information on Banner. Prerequisites can change from year to year. Always check the most recent University Catalog for course prerequisites. Note that grade requirements are not shown on this flowchart.
- Students are strongly encouraged to consult their Advisor before enrolling in or dropping any course. As always, consult your Advisor if you have any questions or need clarification about the flowchart or official degree requirements.